

Note:

All Machined Part Should be Burr Free.

All Unspecified Fillet and Chamfer 0.5x45°

Part Material:

EN 8

Raw Material Size: OD 25 90 LG

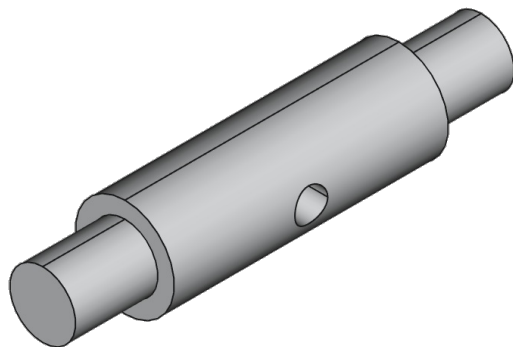
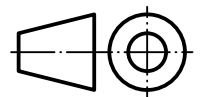
Raw Weight: 0.34 Kg


General tolerances:

ISO 2768-m

Scale:

1 : 1



Title: 04. Pin		Created by: Amar Patel		Owner: 	
Document type: Part Drawing		Approved by: Amar Patel			
Drawing number: DN		Language: EN	Issue date: 12/13/2024	Revision: AAA	Sheet: 1 / 1